



Comet



6870-PO3-CR5M16S

Comet 417lm 51mm 3.4W MR16 CR5

Sleek and stylish, that is U-Tron's Comet spot light. It has a very focussed beam that is excellent for product displays, reading lights, museums, and the list goes on and on.

Product Technical Data

General Informaion

Socket Type MR16
Life Span 50000hr

Product Dimensions

Circular Diameter 50mm
Lamp Height 50mm

Light Characteristics

Efficacy 122.6lm/W
Beam Angle 60 D
CCT 5500K
Flux 417lm
Color Rendering Index

Ordering Information

Product Number 6870-PO3-CR5M16S
Product Name Comet Spotlight MR16
Product Ordering Name Comet 417lm mm 3.4W MR16

Electrical Characteristics

Wattage 3.4W
Voltage universal
Power Factor 0.937

Pieces Per Pack 1
Packs Per Carton 240
Net Weight Per Piece 130 Grams

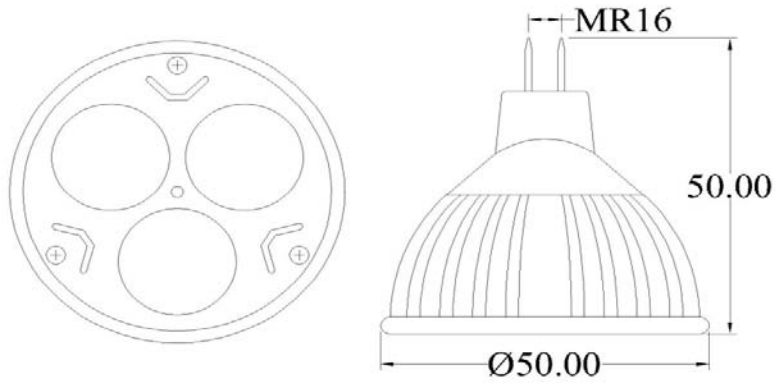
Temperature

Operating Temp. -30(min), 65(max)C
Storage -40(min), 65(max)C

www.u-tron.com



Technical Drawing



©2012 U-Tron (Beijing) Electronics Co., LTD

All rights reserved

Specifications are subject to change without notice

15-Feb-12

data subject to change